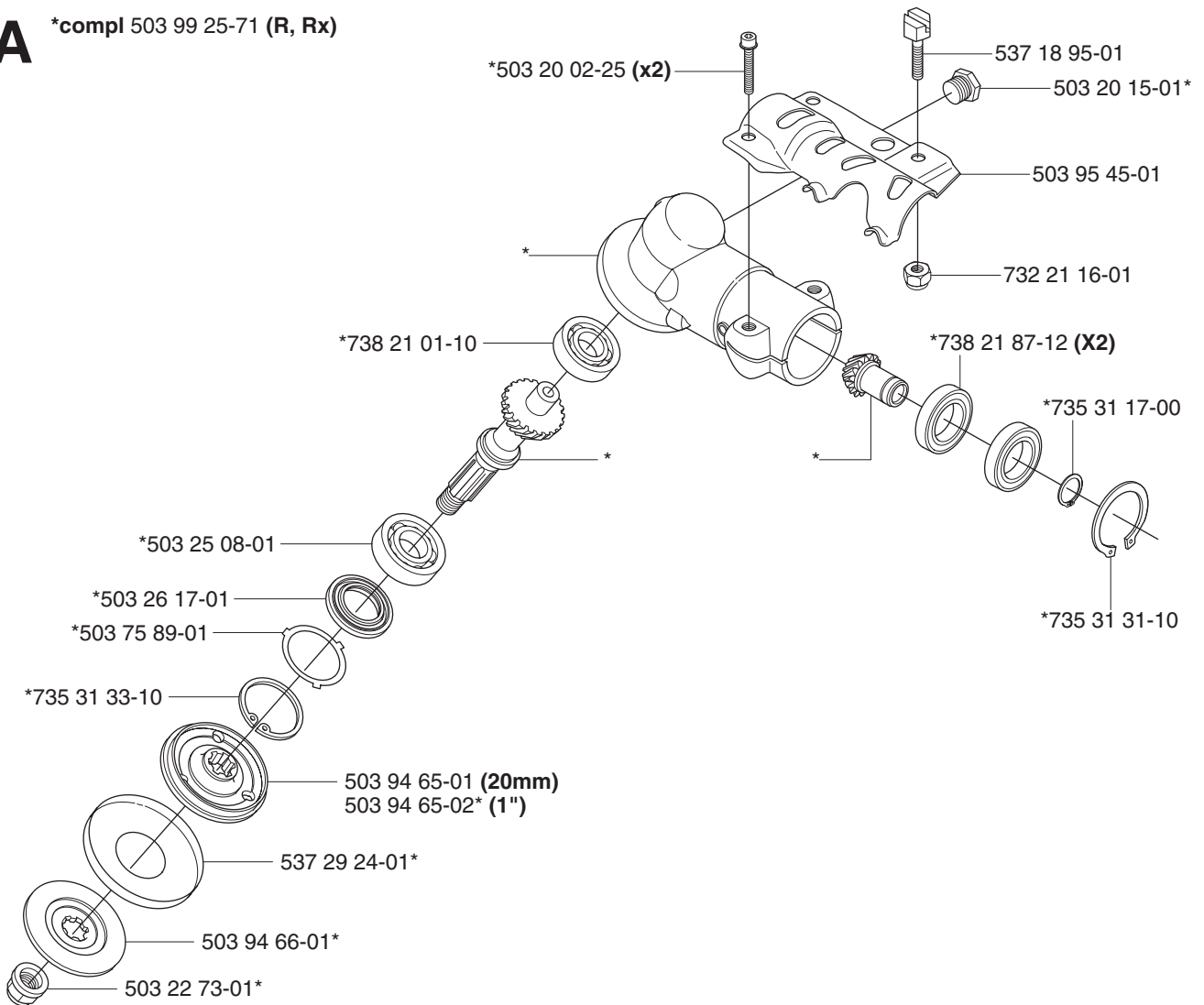
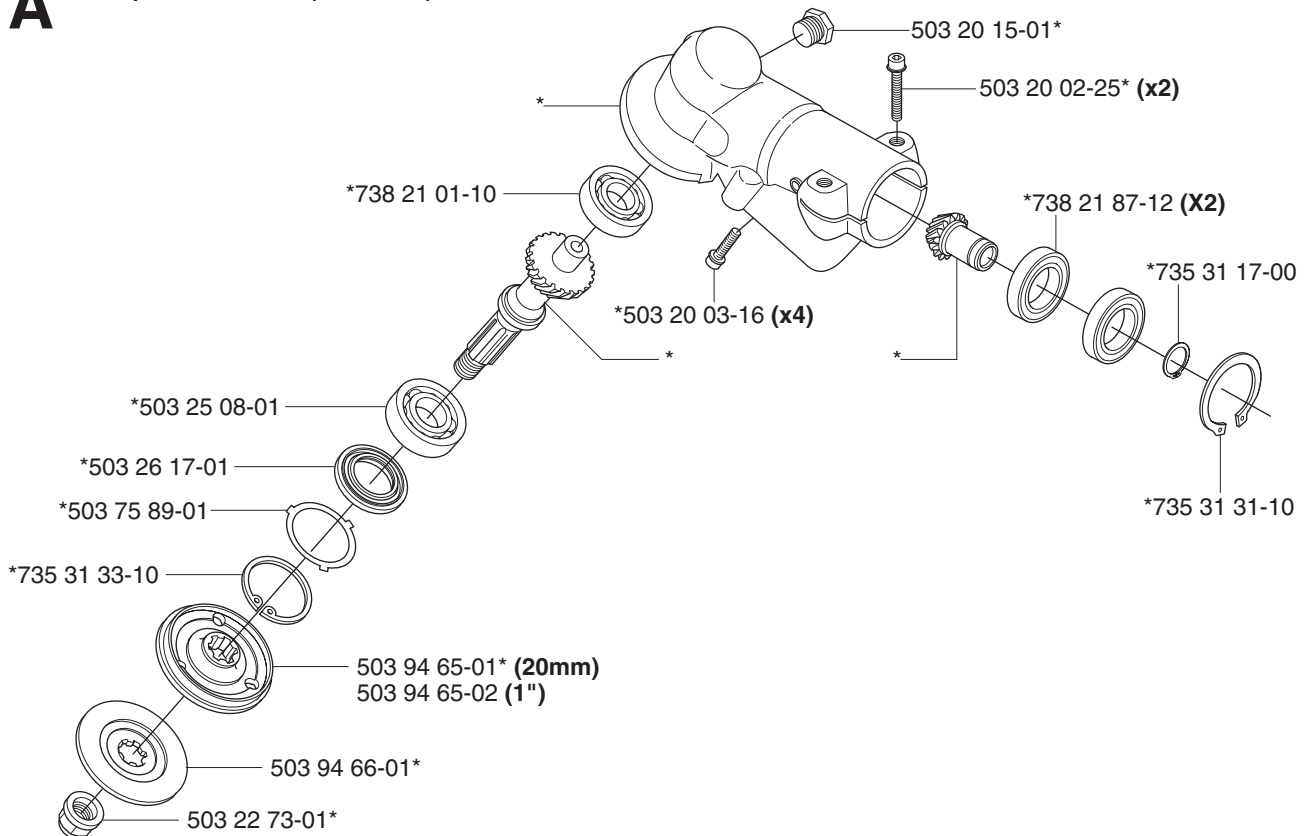
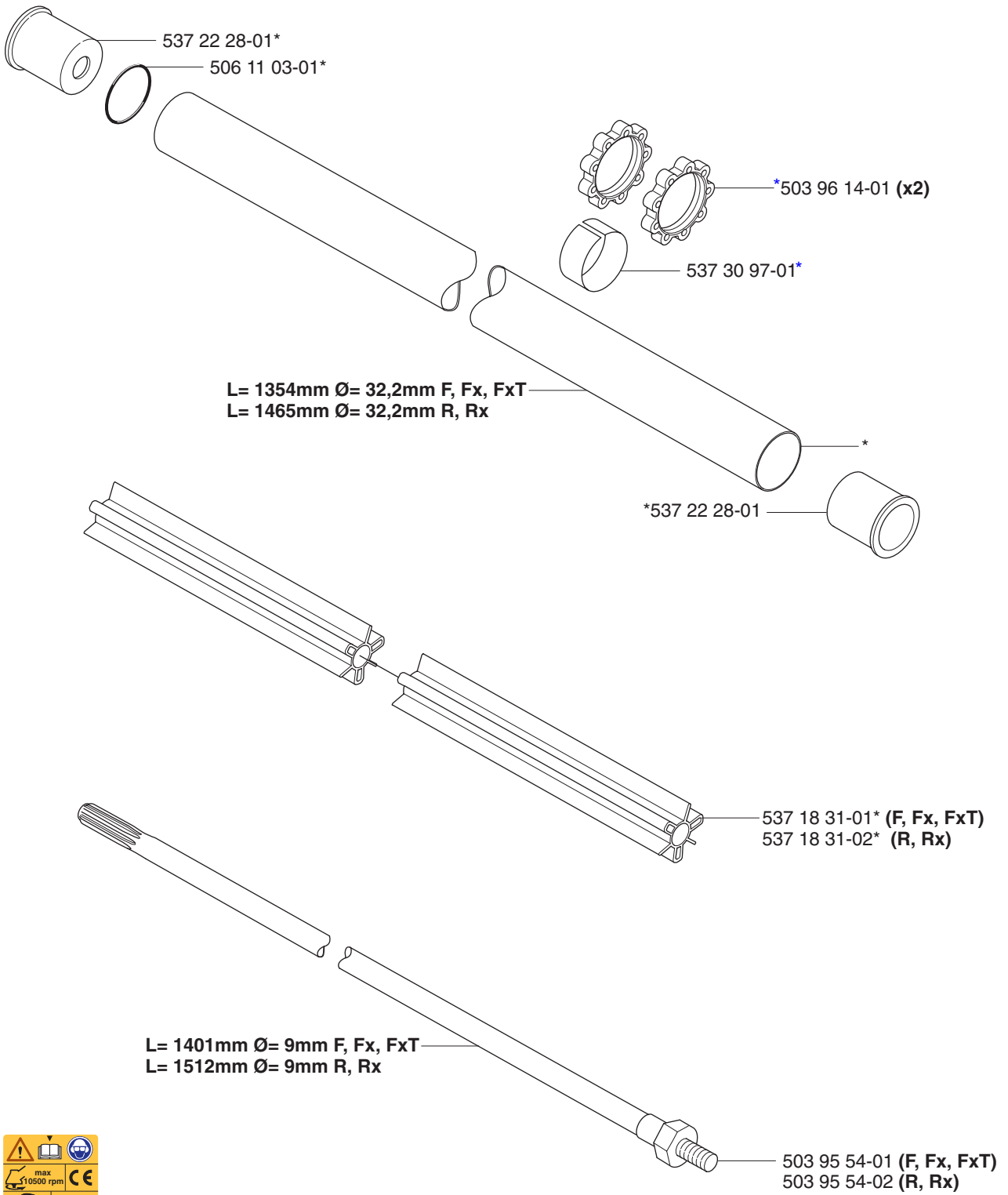


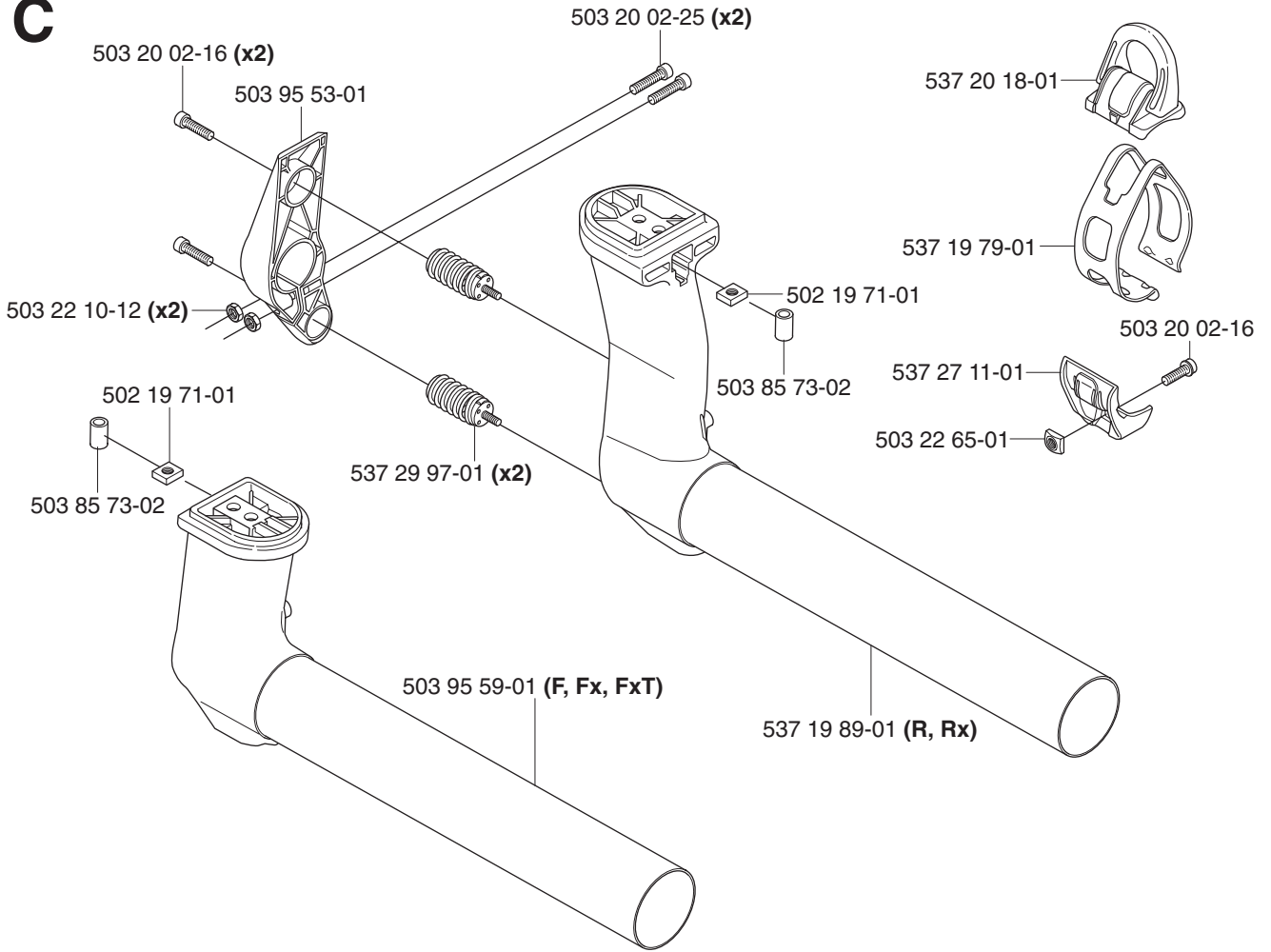
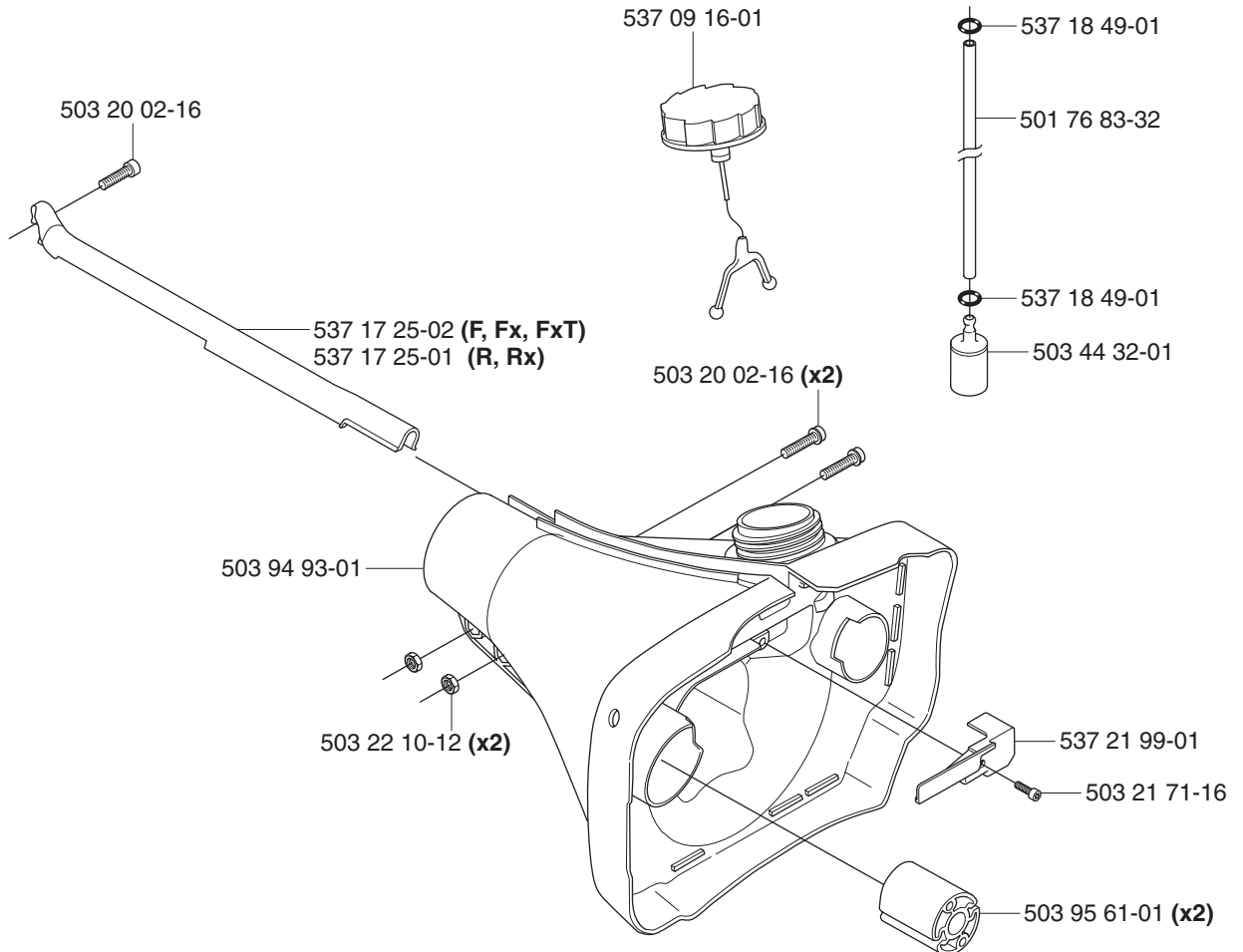
A***compl 503 99 25-71 (R, Rx)****A*****compl 503 94 62-71 (F, Fx, FxT)**

B

*compl 537 27 92-03 (F, Fx, FxT)
 *compl 537 27 92-04 (R, Rx)



Correction:
 537 29 47-02
 537 02 76-02
 537 29 47-03 (US, Can.)

C**D**

E

*compl 537 18 35-08 (R, Rx)

*537 17 44-01 (Rx)

*537 16 09-01 (Rx)

*537 16 10-01 (Rx)

*537 18 36-01 (Rx)

*537 16 12-01 (Rx)

*503 21 66-16 (x2)

*537 16 07-01

537 18 08-02* (Rx)
537 18 08-01 (R)

*537 18 07-02 (Rx)
537 18 07-03 (R)

503 20 07-35

537 17 42-01*

537 16 08-01*

537 17 43-01*

537 16 06-01*

*503 71 82-01

503 22 10-13

725 53 81-05 (R)

725 23 82-85 (Rx)

502 20 38-01 (Rx)

734 11 52-01 (R)

503 20 02-25 (x2)

537 12 90-01

537 17 28-03

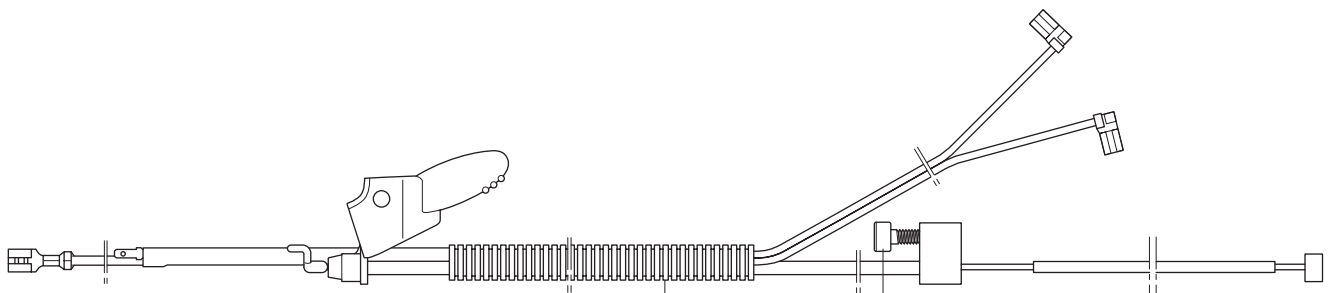
503 95 86-03

731 23 14-05

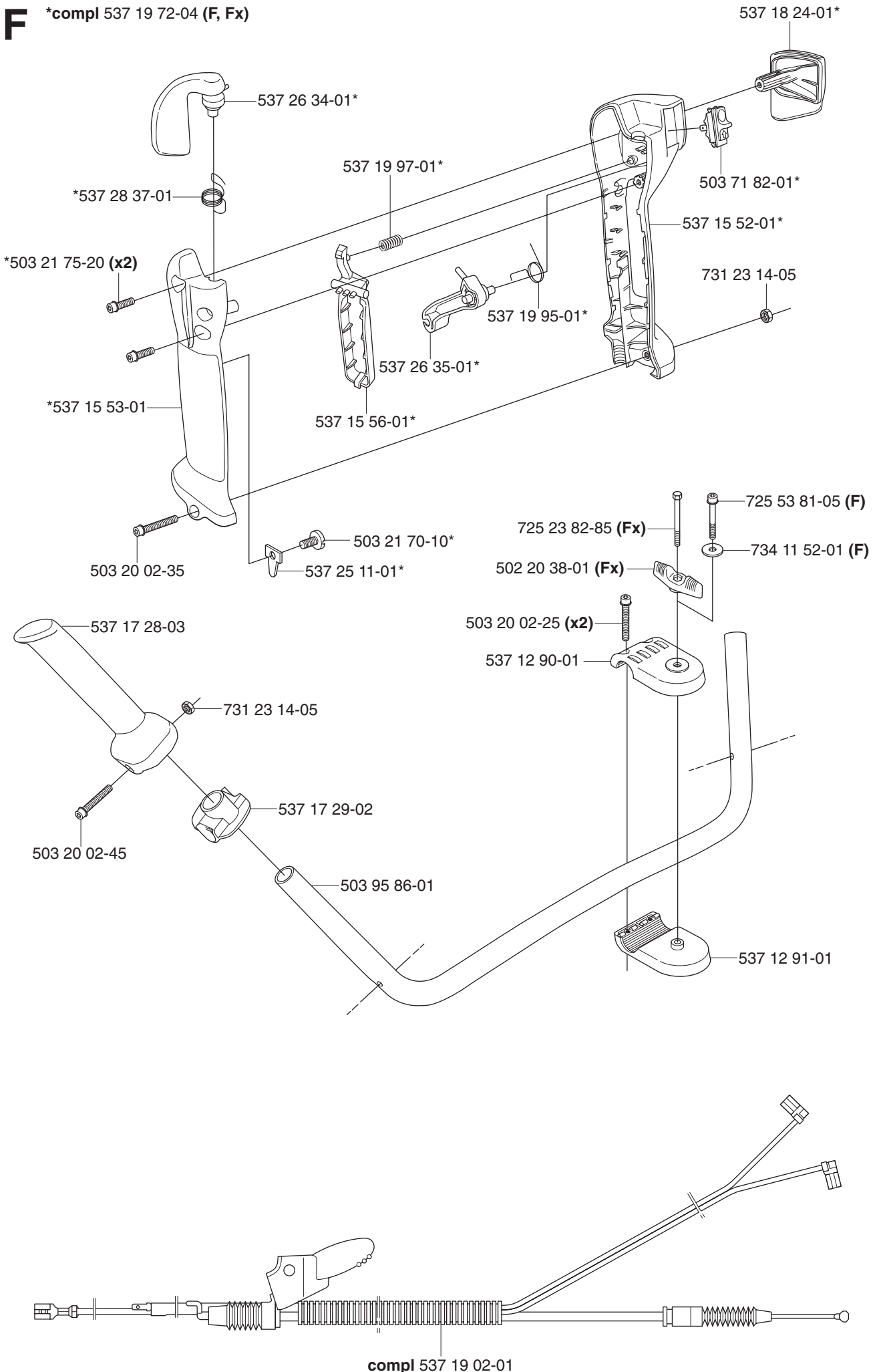
503 20 02-45

537 17 29-02

537 12 91-01

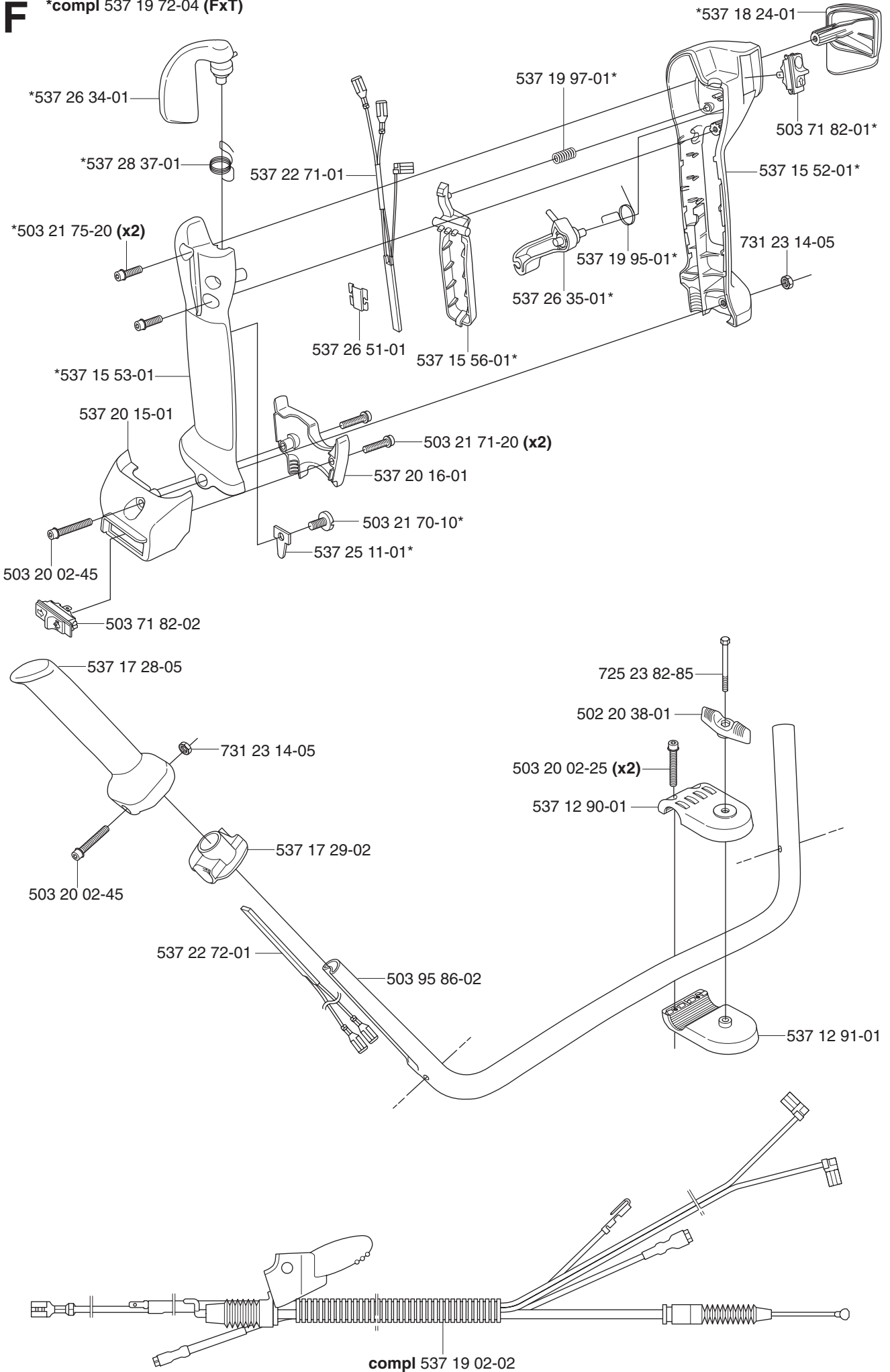


**compl 503 95 39-01 **503 21 66-16

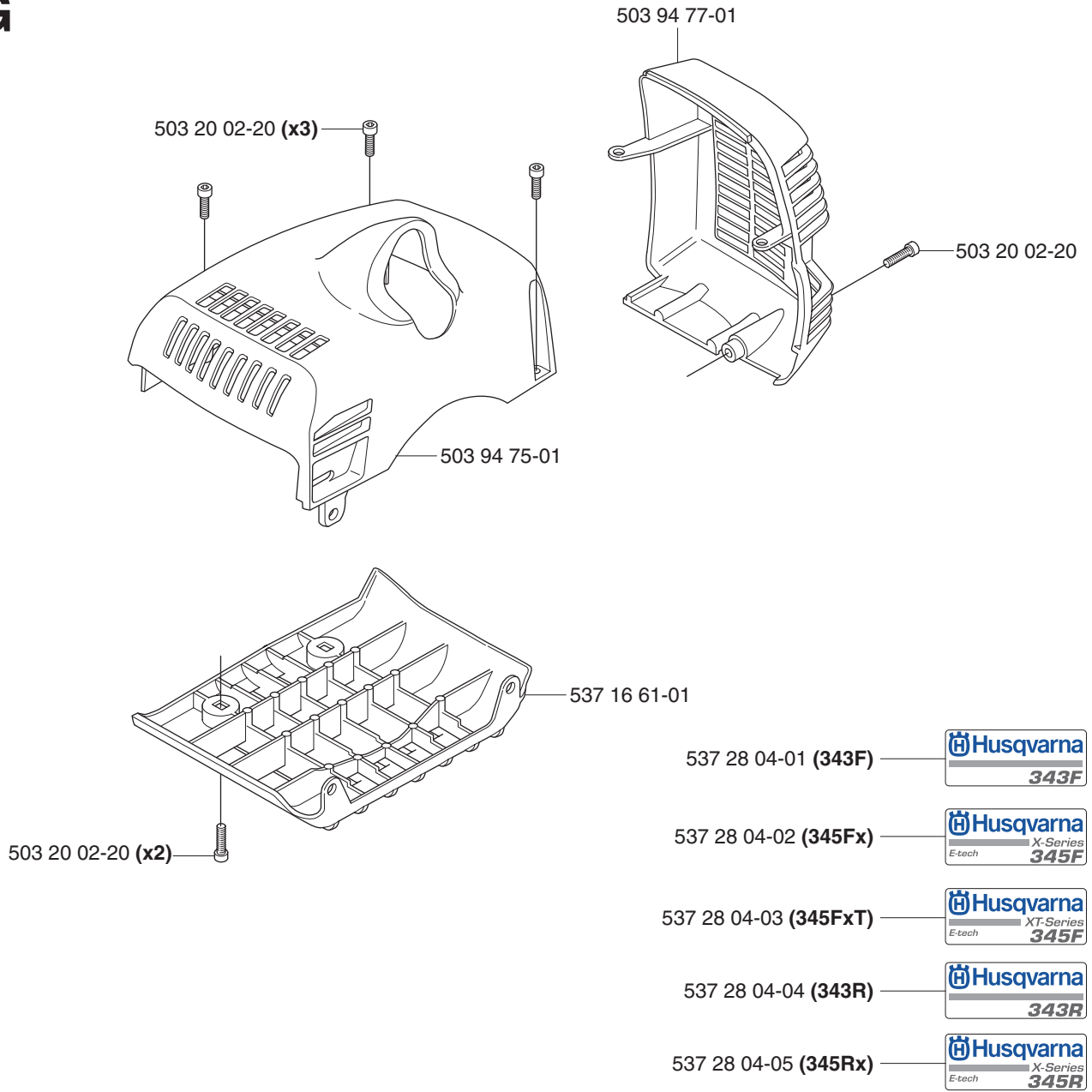
F***compl 537 19 72-04 (F, Fx)**

F

*compl 537 19 72-04 (FxT)

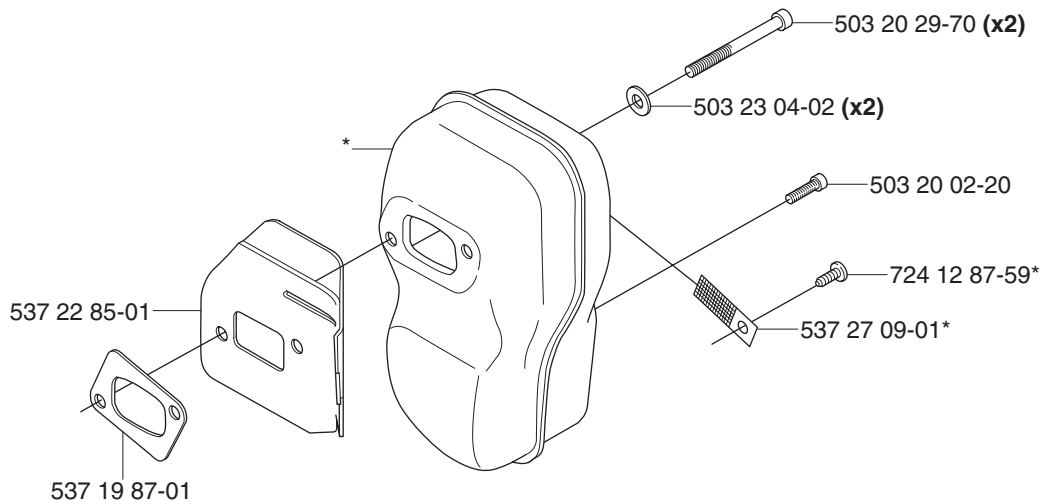


G

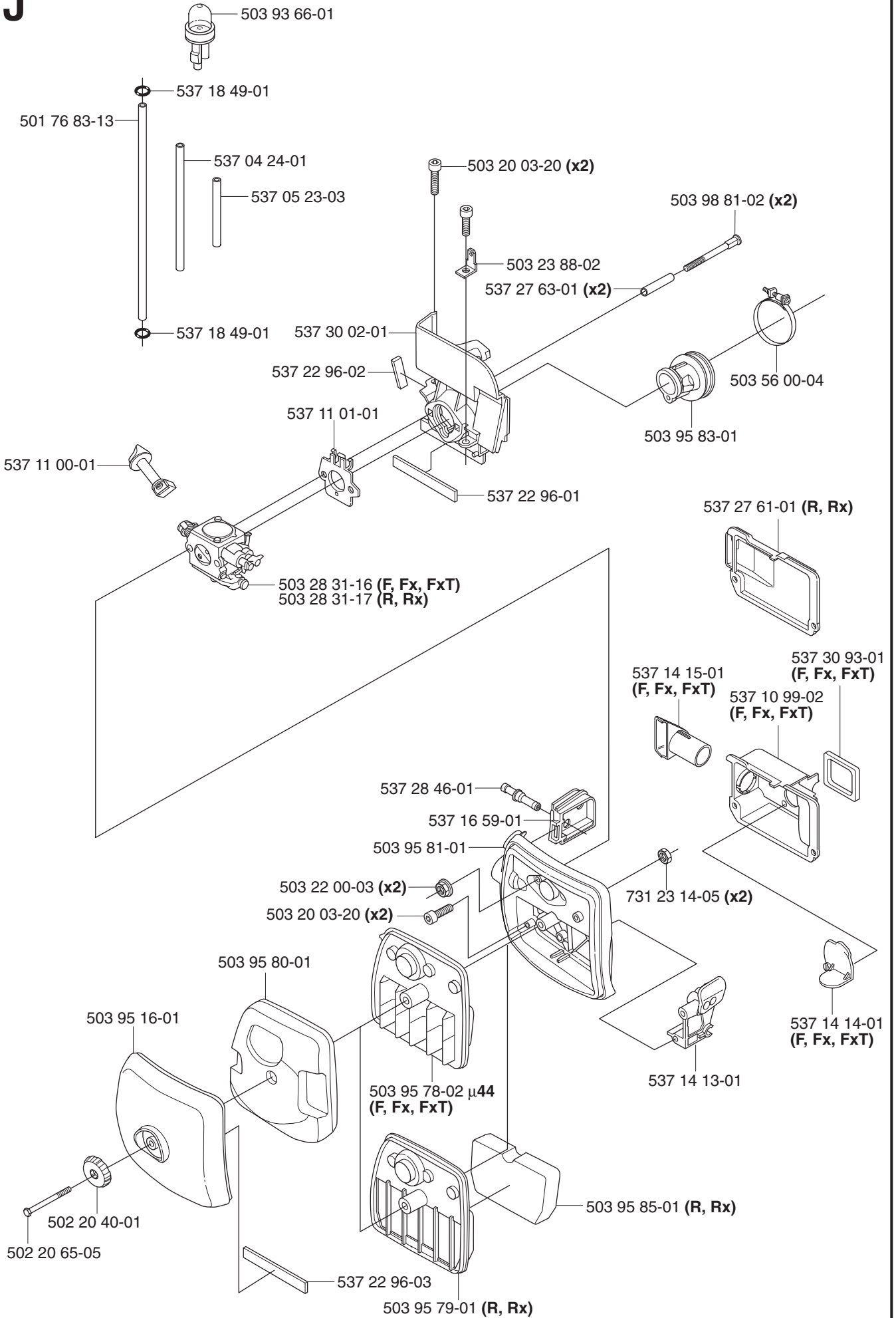


H

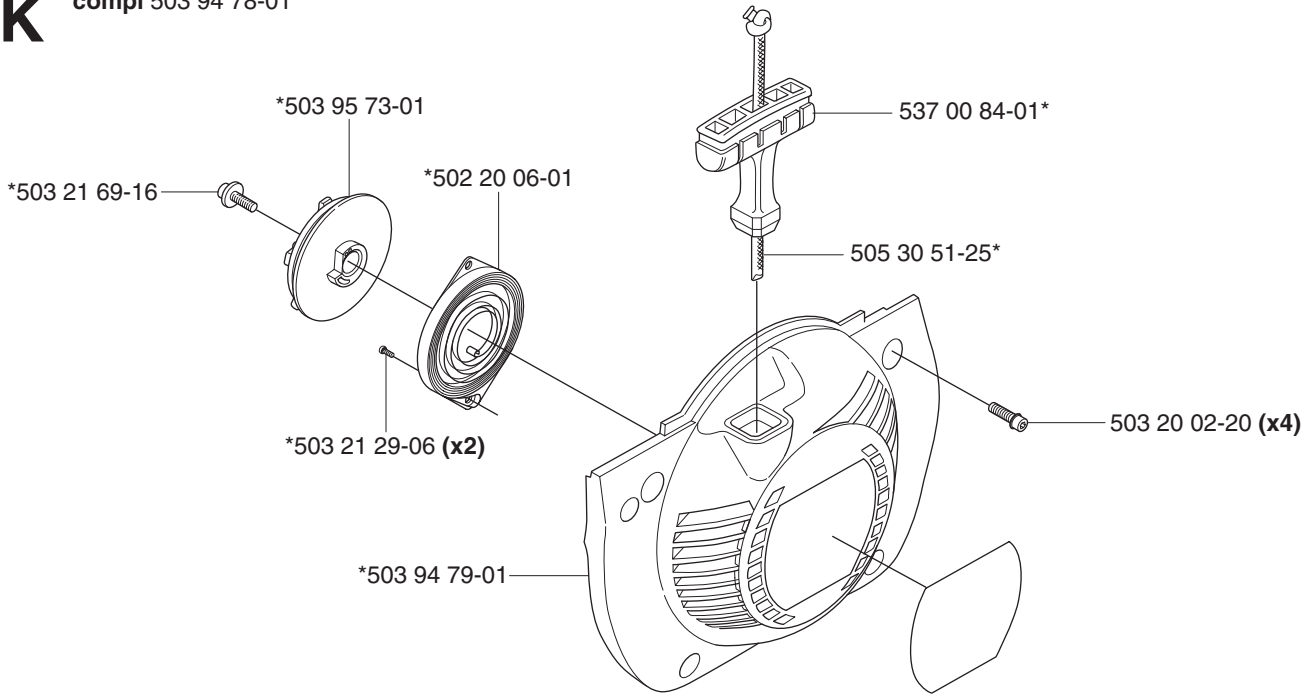
*compl 503 94 90-01 (CAT)
*compl 503 94 90-02



J



K *compl 503 94 78-01



537 28 03-01 (343F)



537 28 03-02 (345Fx)



537 28 03-03 (345FxT)

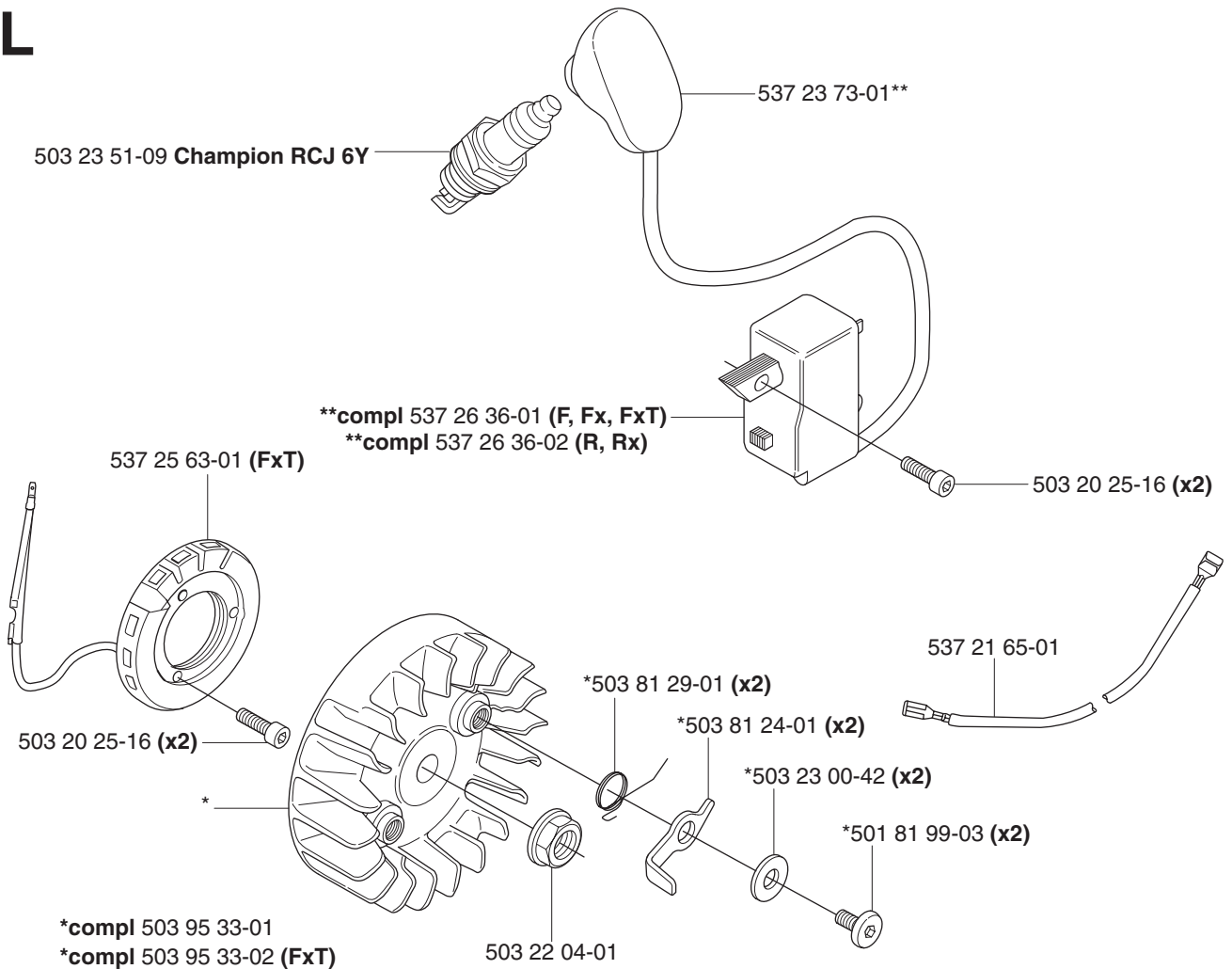


537 28 03-04 (343R)



537 28 03-05 (345Rx)

L

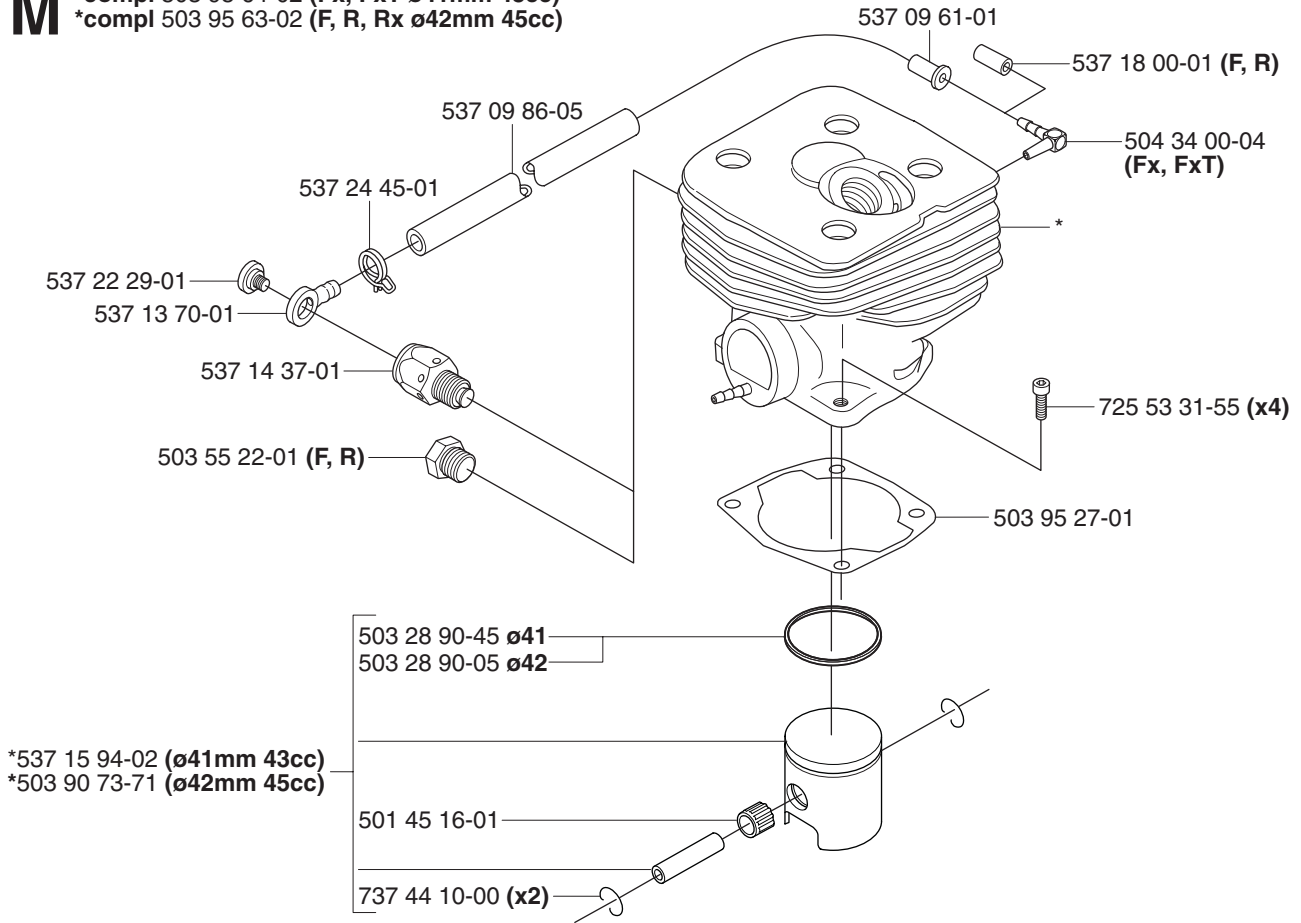


*compl 503 95 33-01

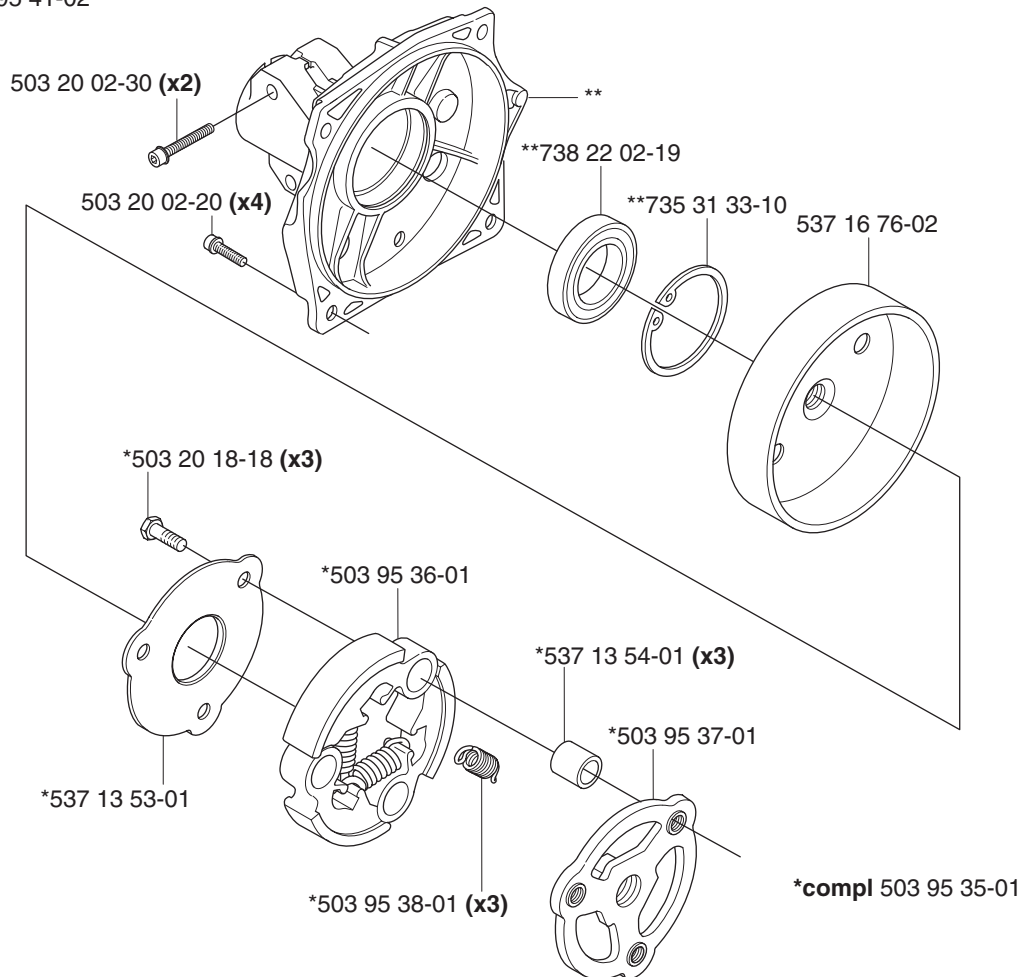
*compl 503 95 33-02 (FxT)

M

*compl 503 95 64-02 (Fx, FxT \varnothing 41mm 43cc)
 *compl 503 95 63-02 (F, R, Rx \varnothing 42mm 45cc)

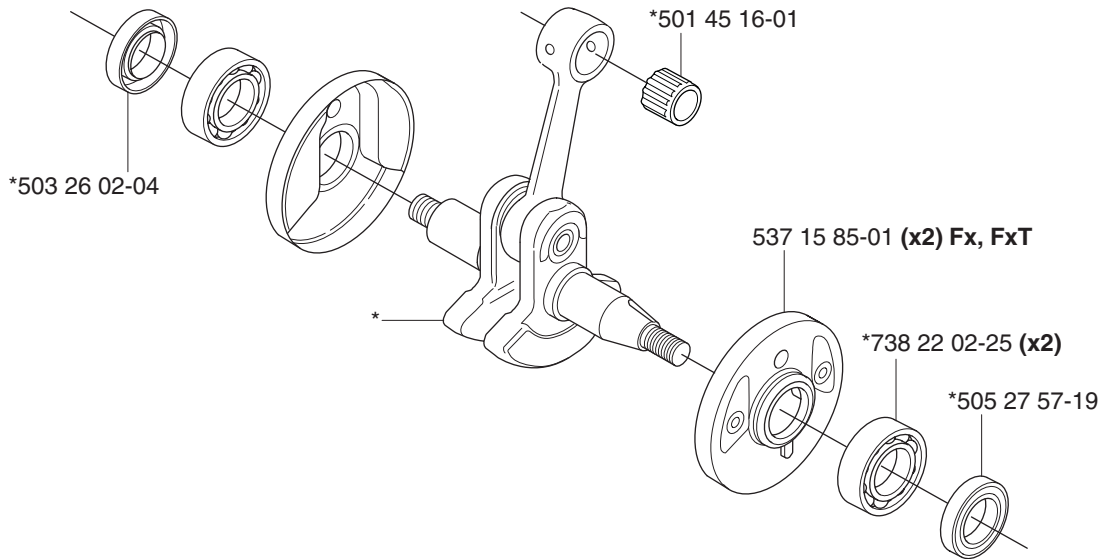
**N**

**compl 503 95 41-02



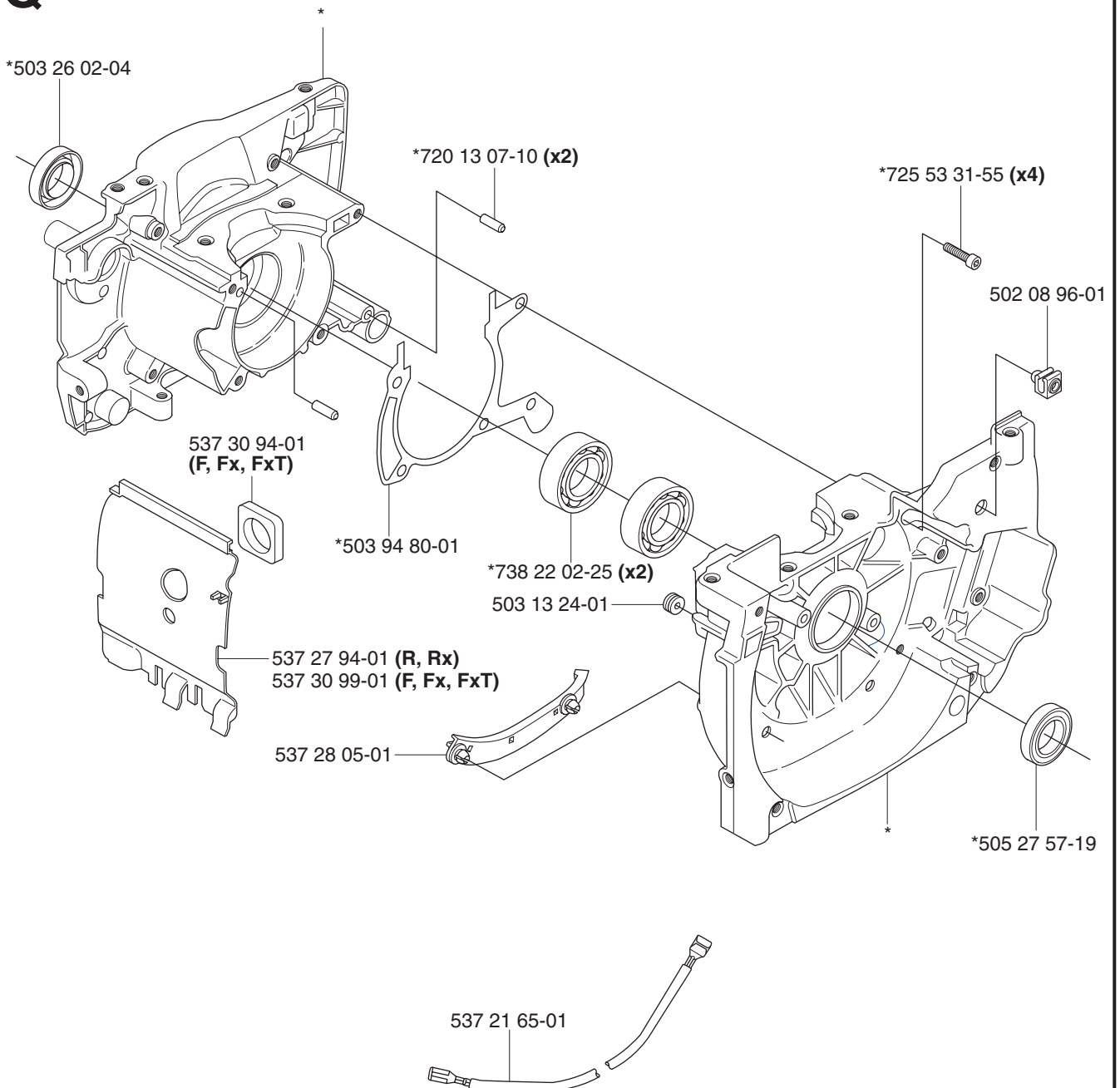
P

*compl 537 18 97-02



Q

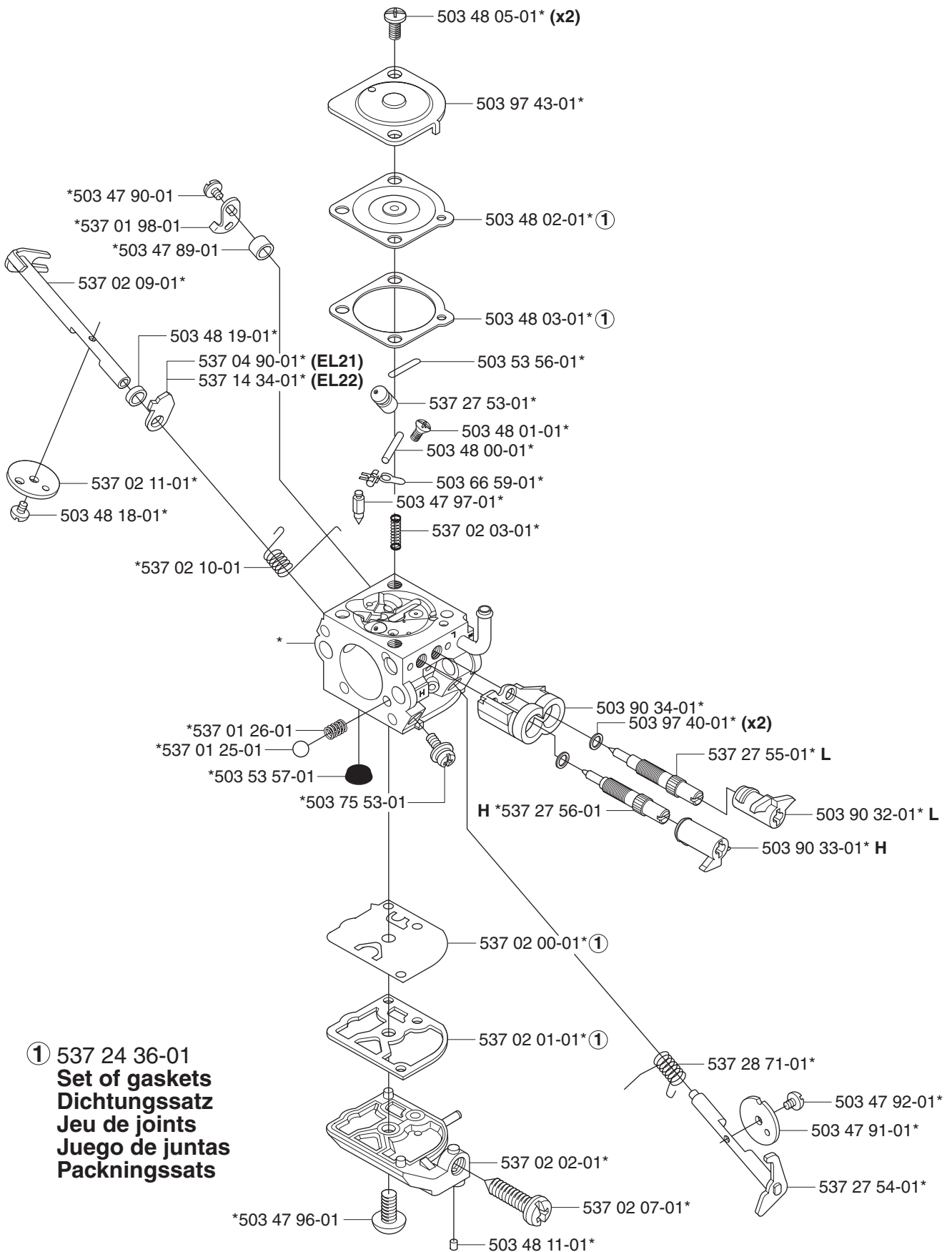
*compl 537 23 04-01



R

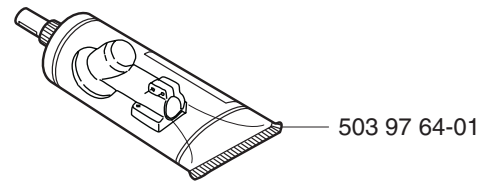
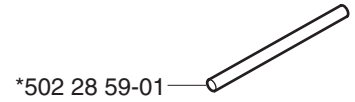
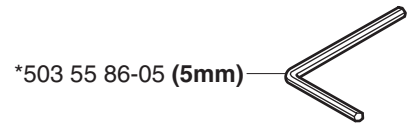
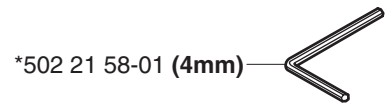
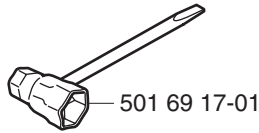
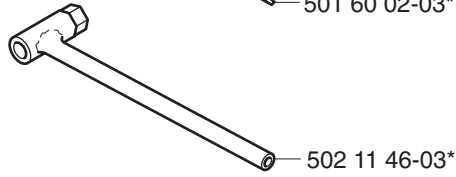
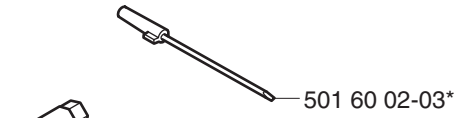
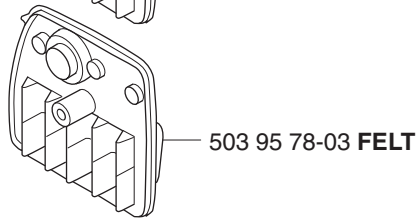
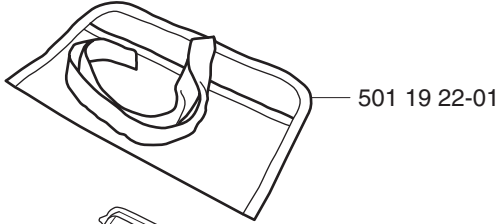
*compl 503 28 31-16 (F, Fx, FxT) Zama C1Q-EL21
 *compl 503 28 31-17 (R, Rx) Zama C1Q-EL22

Zama C1Q-EL21 Zama C1Q-EL22



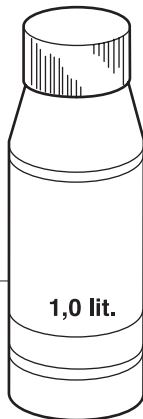
S Accessories
Zubehöre
Accessoires
Accesorios
Tillbehör

*compl 502 21 60-13

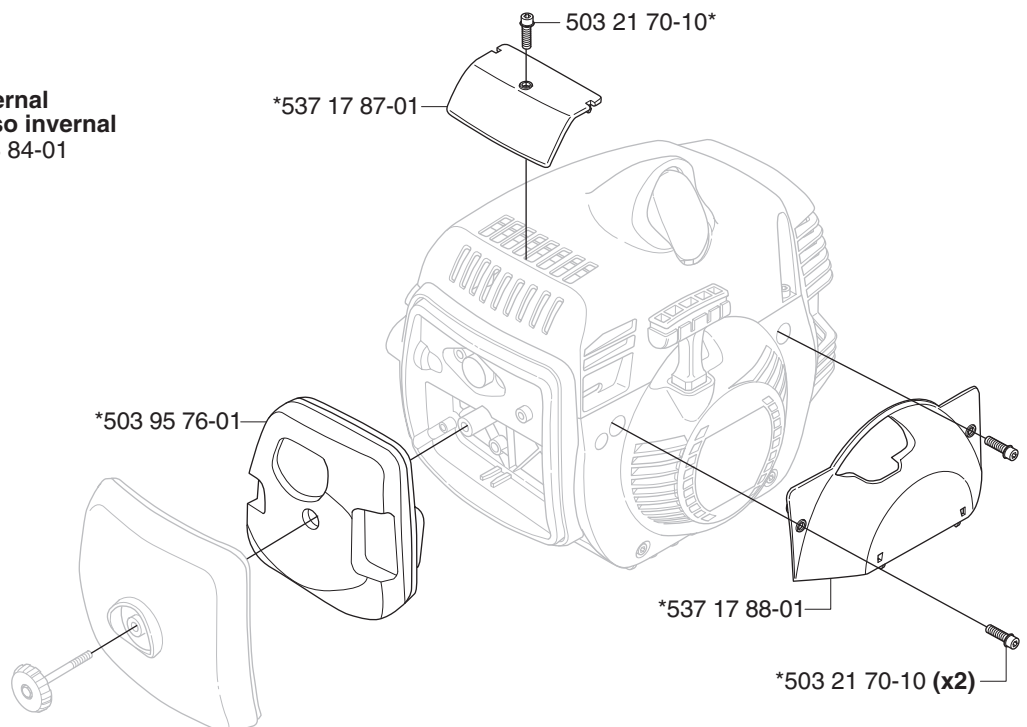


Olja Luftfilter
Oil Airfilter
Öl Luftfilter
Aceite Filtro Air
Huile Filtera aire

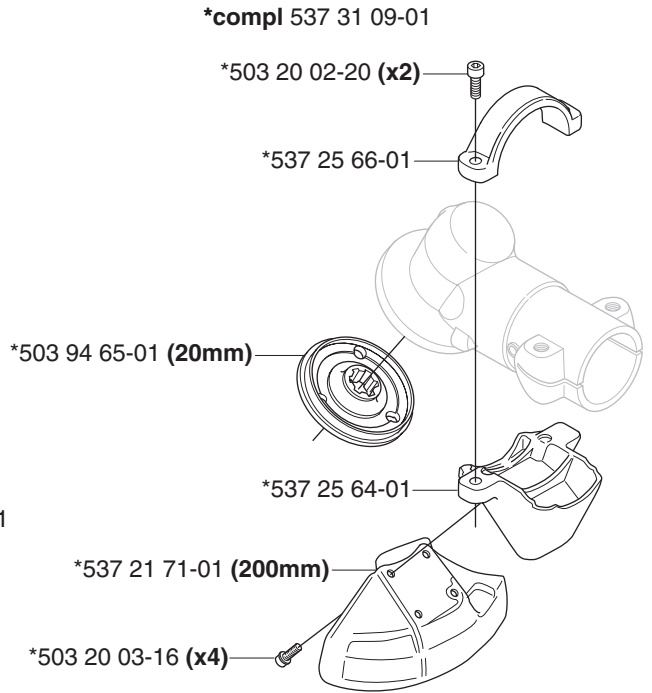
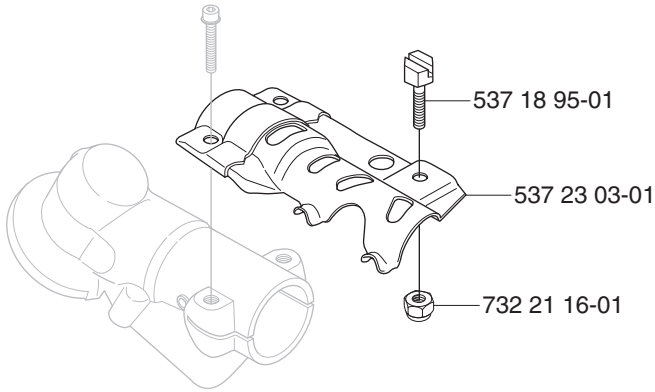
531 00 92-48



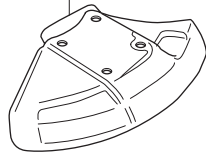
Vintersats
Winter kit
Wintersatz
Dispositif hivernal
Juego para uso invernal
***compl 537 23 84-01**



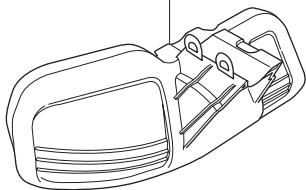
S Accessories
 Zubehöre
 Accessoires
 Accesorios
 Tillbehör



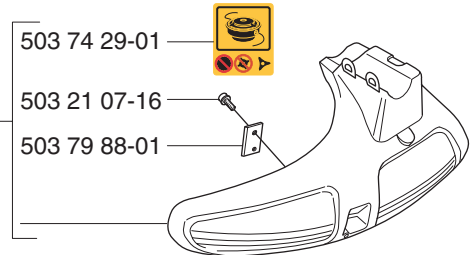
502 03 94-06 (225mm)
 537 21 71-01 (200mm)



compl 537 28 85-01



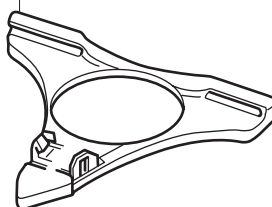
compl 503 95 43-01



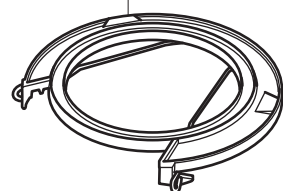
502 15 70-02



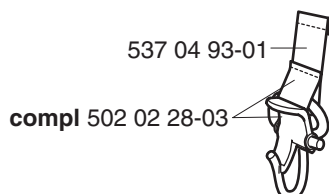
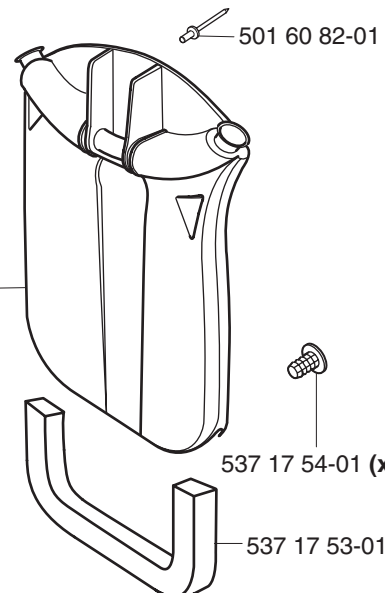
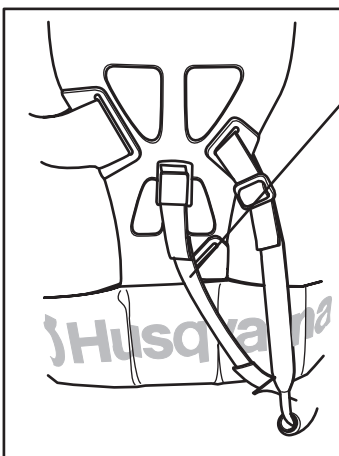
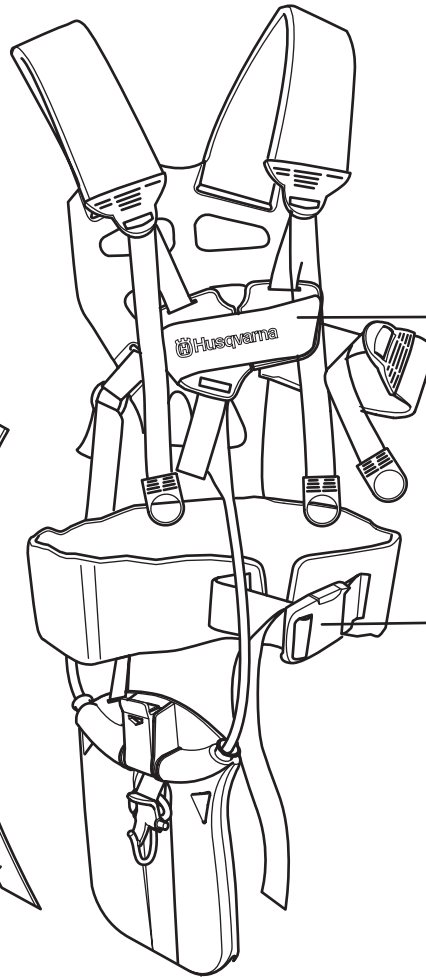
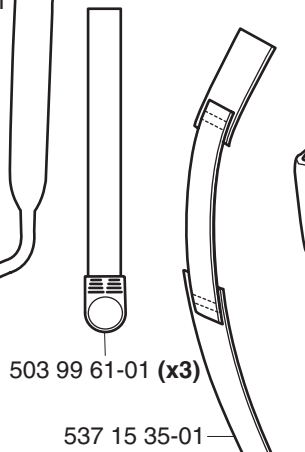
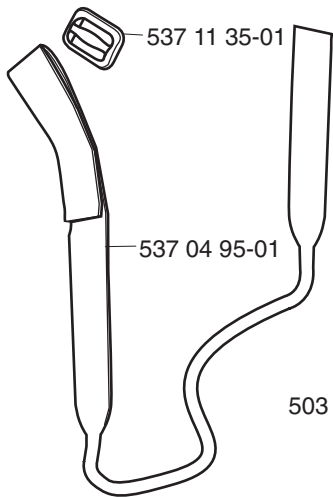
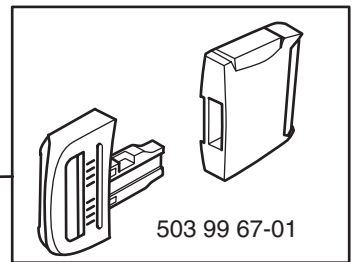
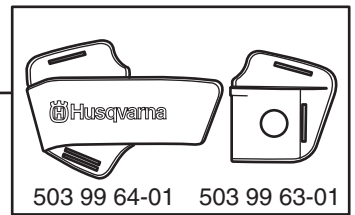
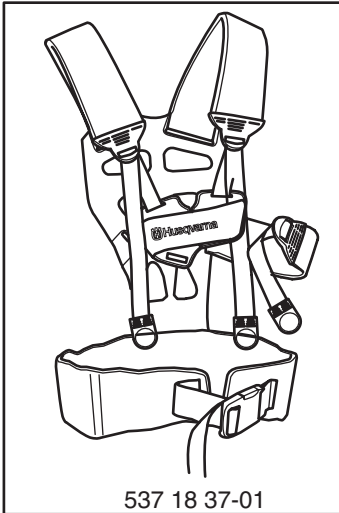
502 26 23-01



502 03 55-05 (200-250 mm)



T 3345Rx, 345Fx, 345FxT
 compl 531 00 92-08
 compl 531 00 92-09 US

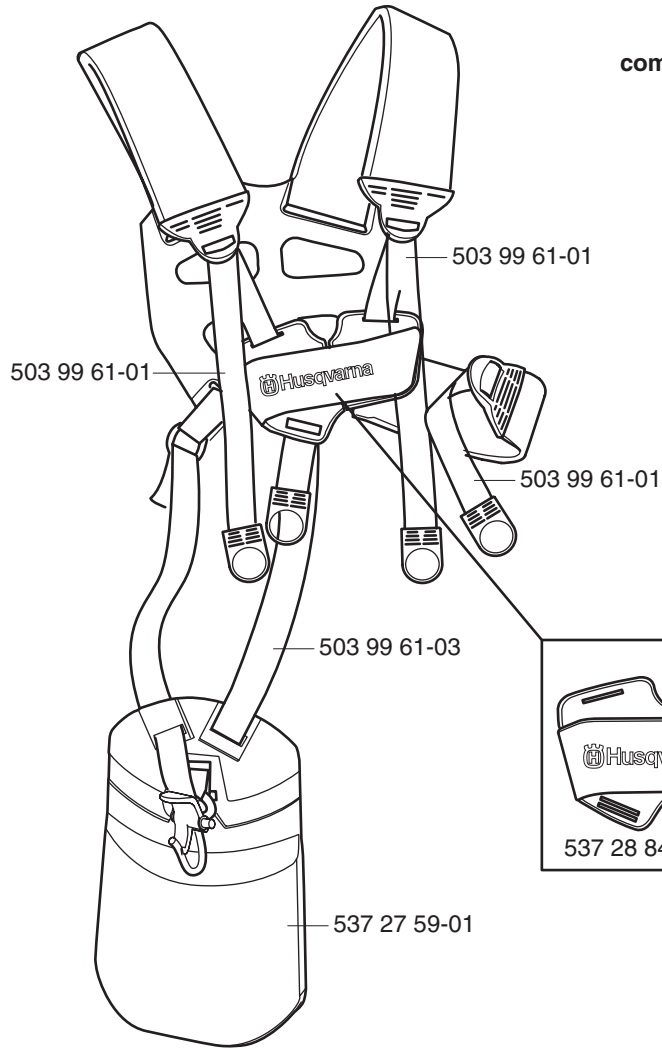


T

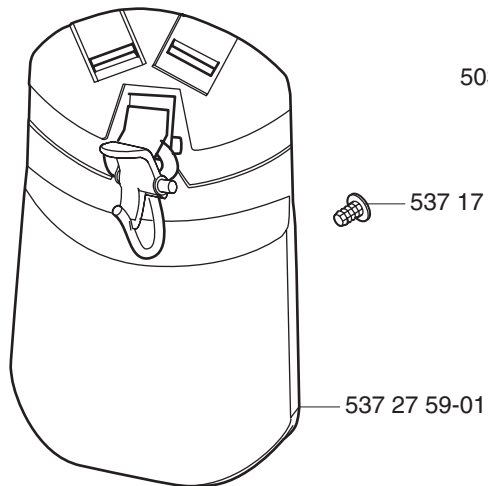
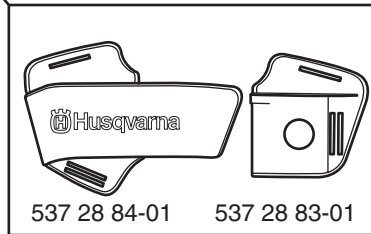
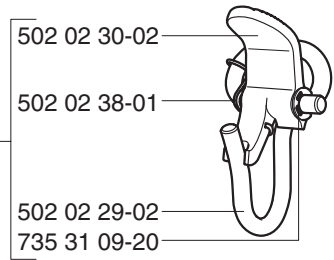
343R, 343F

***compl 537 27 57-01**

***compl 537 27 57-03 US**



compl 502 02 28-01



503 99 61-01 (x3)

537 17 54-01 (x3)

